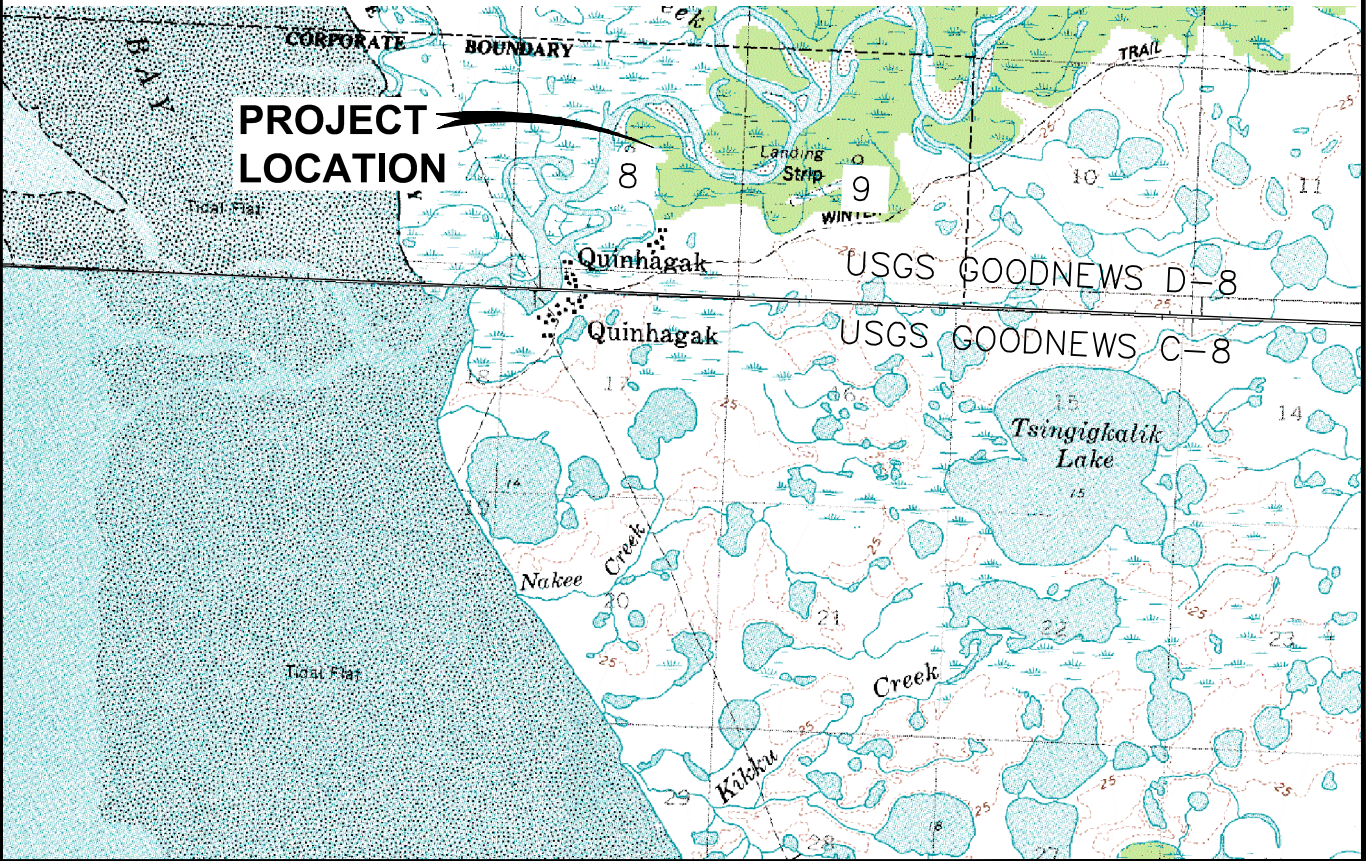


FILE NAME: J:\jobsdata\20084.04 Quinhagak Water & Sewer\00 CADD\02 Figures\16 Gravel Figures\Gravel Figures.dwg



QUINHAGAK, AK
 GRAVEL EXTRACTION SITE
 TOWNSHIP 5-S, RANGE 74-W, SECTION 8
 VICINITY MAP

Project No: 20084.04
Drawn By: WMK

POA-2014-512, Kanektok River
 Qanirtuuq, Inc. Gravel Pit
 Drawings dated May 21, 2015
 Sheet 1 of 5

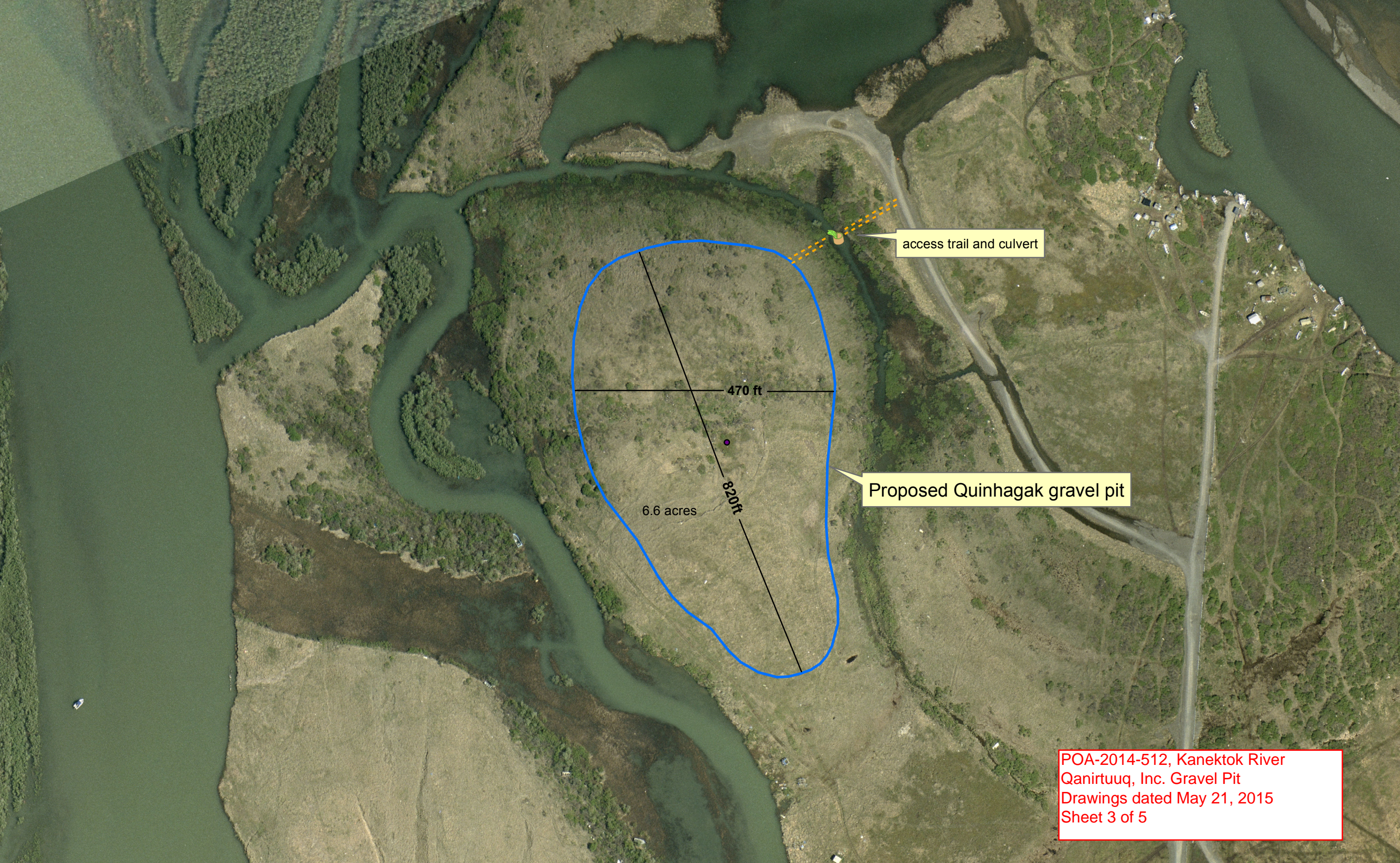


QUINHAGAK, AK
GRAVEL EXTRACTION SITE
TOWNSHIP 5-S, RANGE 74-W, SECTION 8
LOCATION MAP

Project No: 20084.04
Drawn By: WMK
Scale: GRAPHIC
Date: OCT 2014
Figure: 2

POA-2014-512, Kanektok River
Qanirtuuq, Inc. Gravel Pit
Drawings dated May 21, 2015
Sheet 2 of 5

REFERENCE



access trail and culvert

Proposed Quinhagak gravel pit

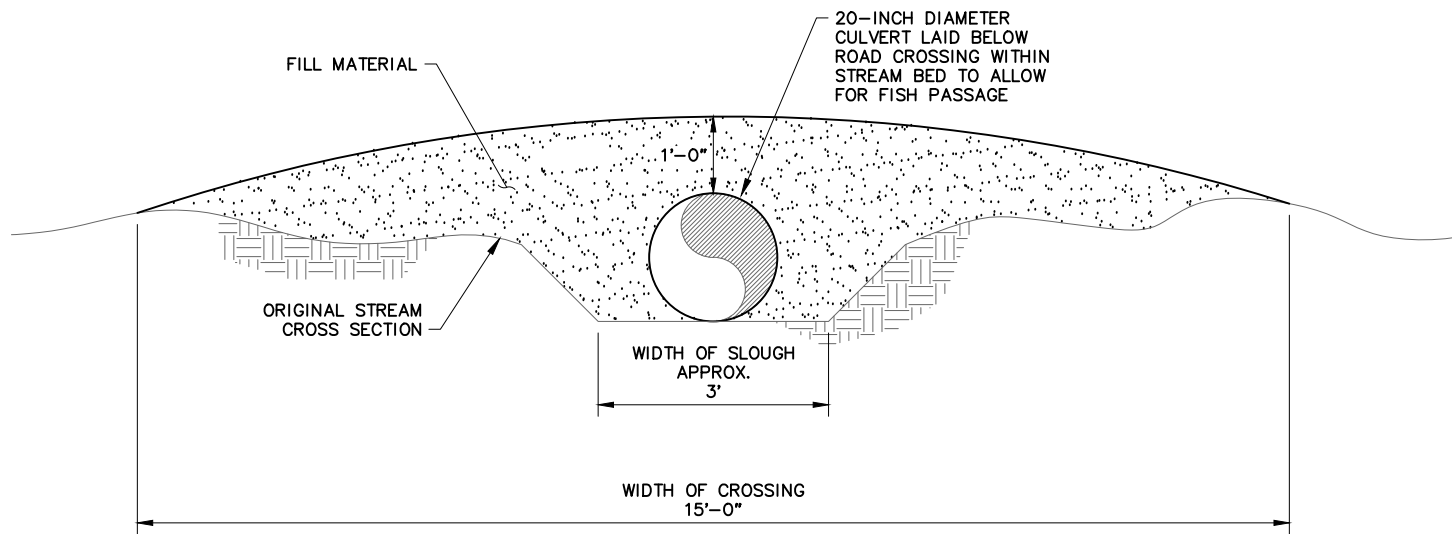
470 ft

820ft

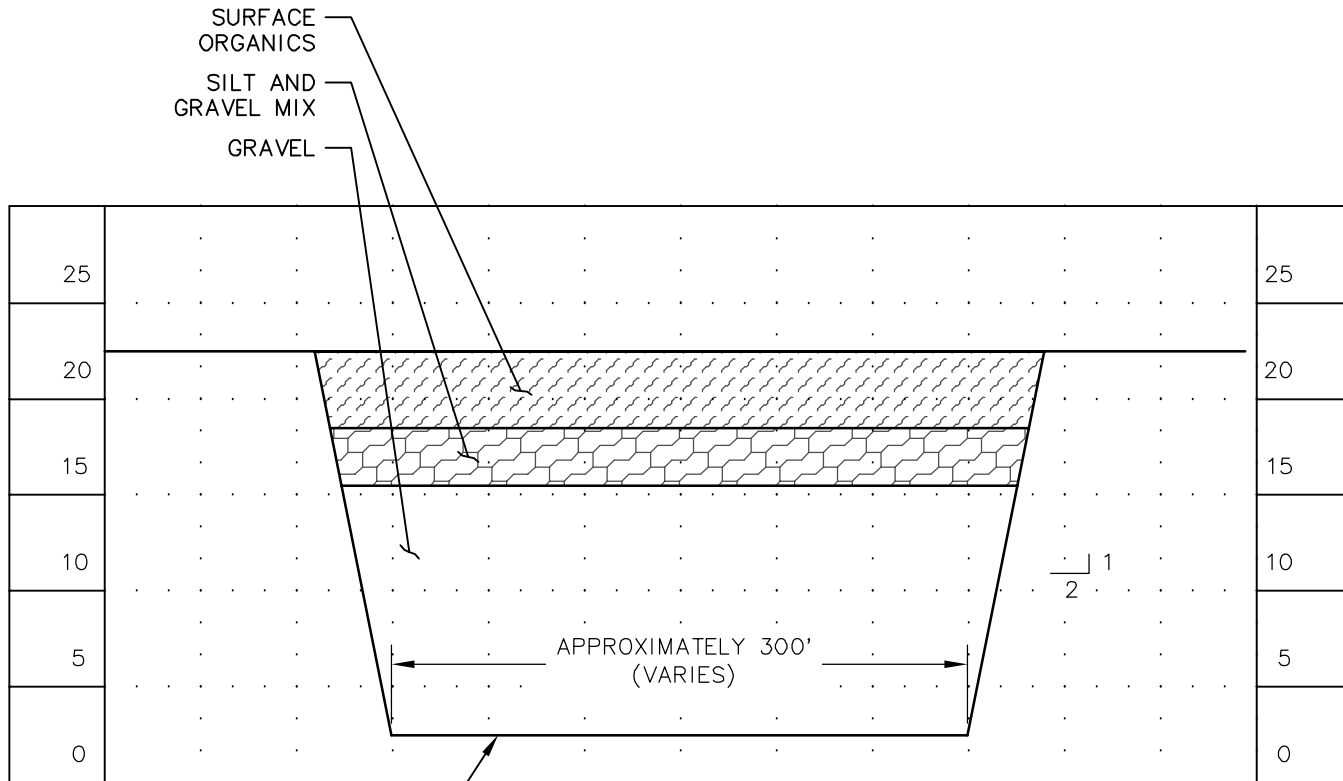
6.6 acres

POA-2014-512, Kanektok River
Qanirtuuq, Inc. Gravel Pit
Drawings dated May 21, 2015
Sheet 3 of 5

QUINHAGAK, AK
PROPOSED SLOUGH CROSSING



QUINHAGAK, AK
 GRAVEL EXTRACTION SITE
 TOWNSHIP 5-S, RANGE 74-W, SECTION 8
 LOCATION MAP



SECTION
 SCALE: HORIZ 1" = 100'
 VERT 1" = 10'
 MAXIMUM DEPTH OF GRAVEL MINING

Project No: 20084.04
 Drawn By: WMK
 Scale: GRAPHIC
 Date: OCT 2014
 Figure: 3

SECTION BASED

POA-2014-512, Kanektok River
 Qanirtuuq, Inc. Gravel Pit
 Drawings dated May 21, 2015
 Sheet 5 of 5